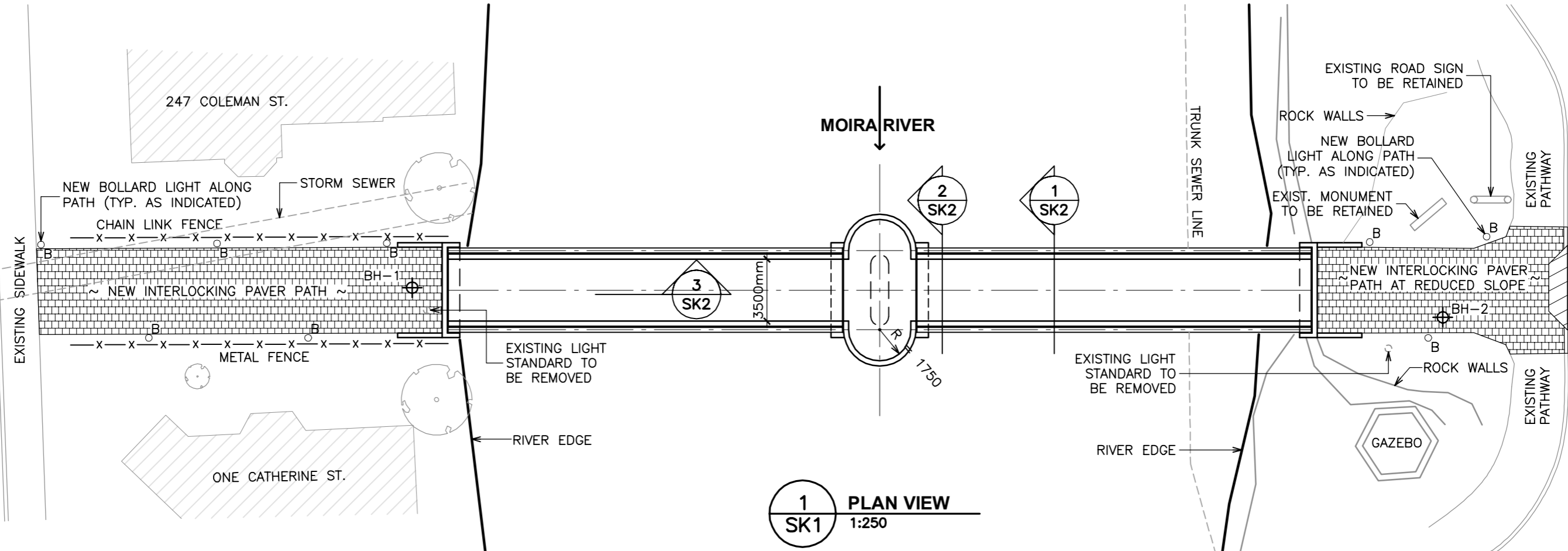


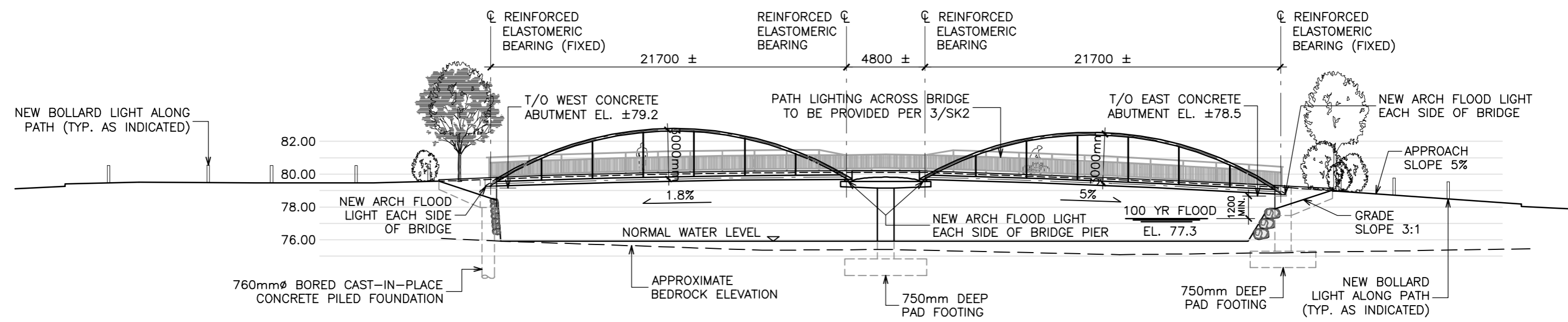


MH

MH



**1 PLAN VIEW**  
SK1 1:250



**2 ELEVATION**  
SK1 1:250



**rjc** Creative Thinking  
Practical Results  
Read Jones Christoffersen Ltd.  
Engineers  
rjc.ca

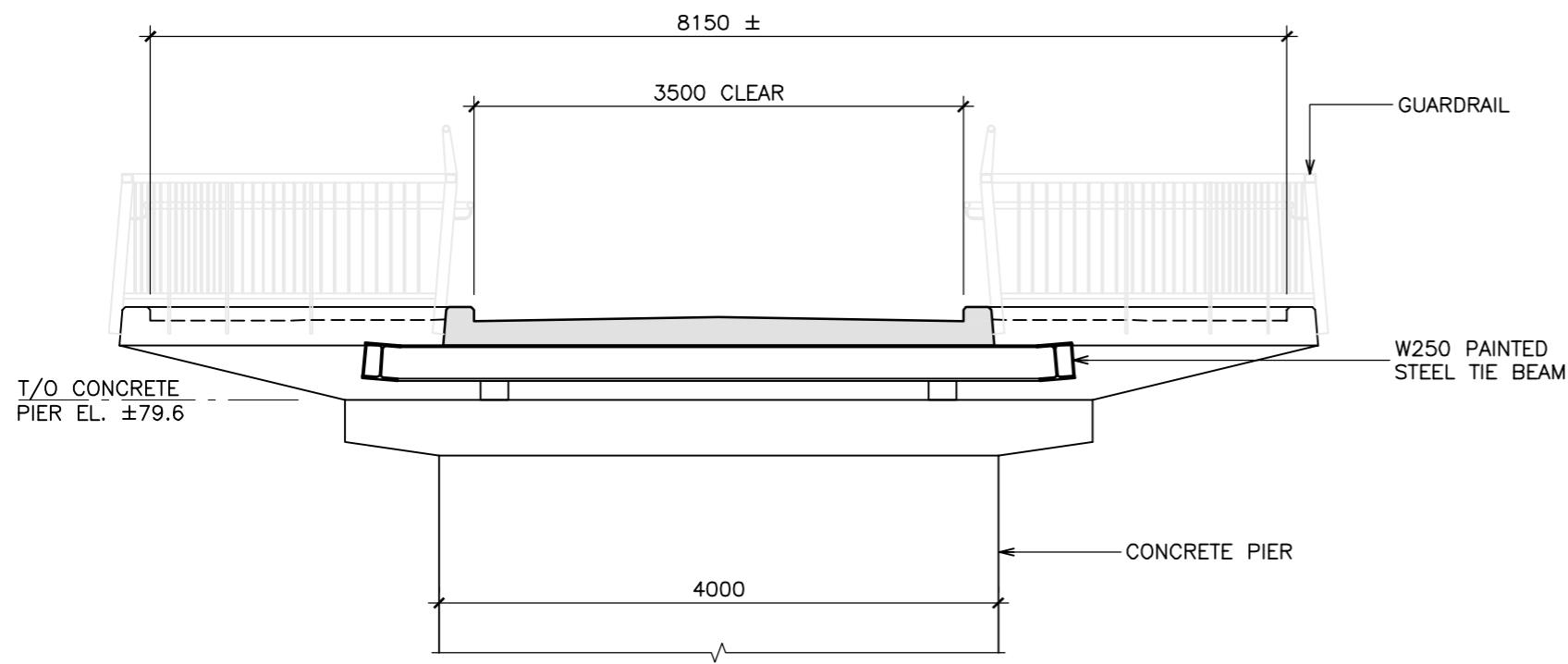
780 Midpark Drive, Suite 103  
Kingston, ON K7M 7P6 Canada  
tel 613-767-6936  
fax 613-767-8276

Project Name  
**Catharine Street Bridge, Belleville, Ontario**

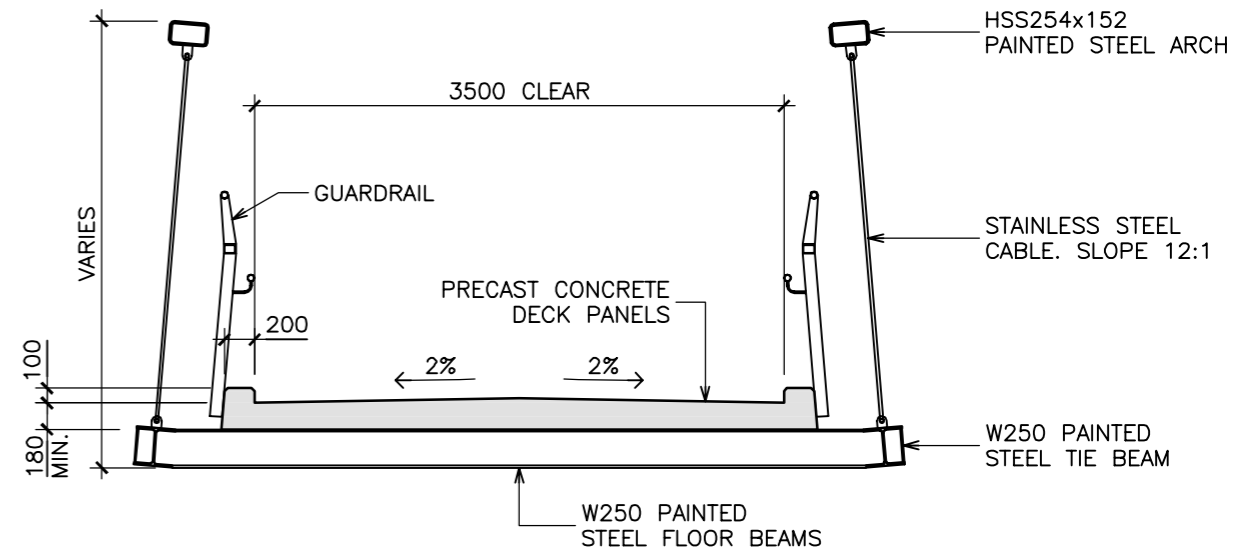
Sketch Title  
**GENERAL ARRANGEMENT**

Dwg. Ref. .  
Scale **AS NOTED**  
Date **March 17, 2016**  
Project No. **TOR.112527.0001**  
Sketch Number  
**SK1**

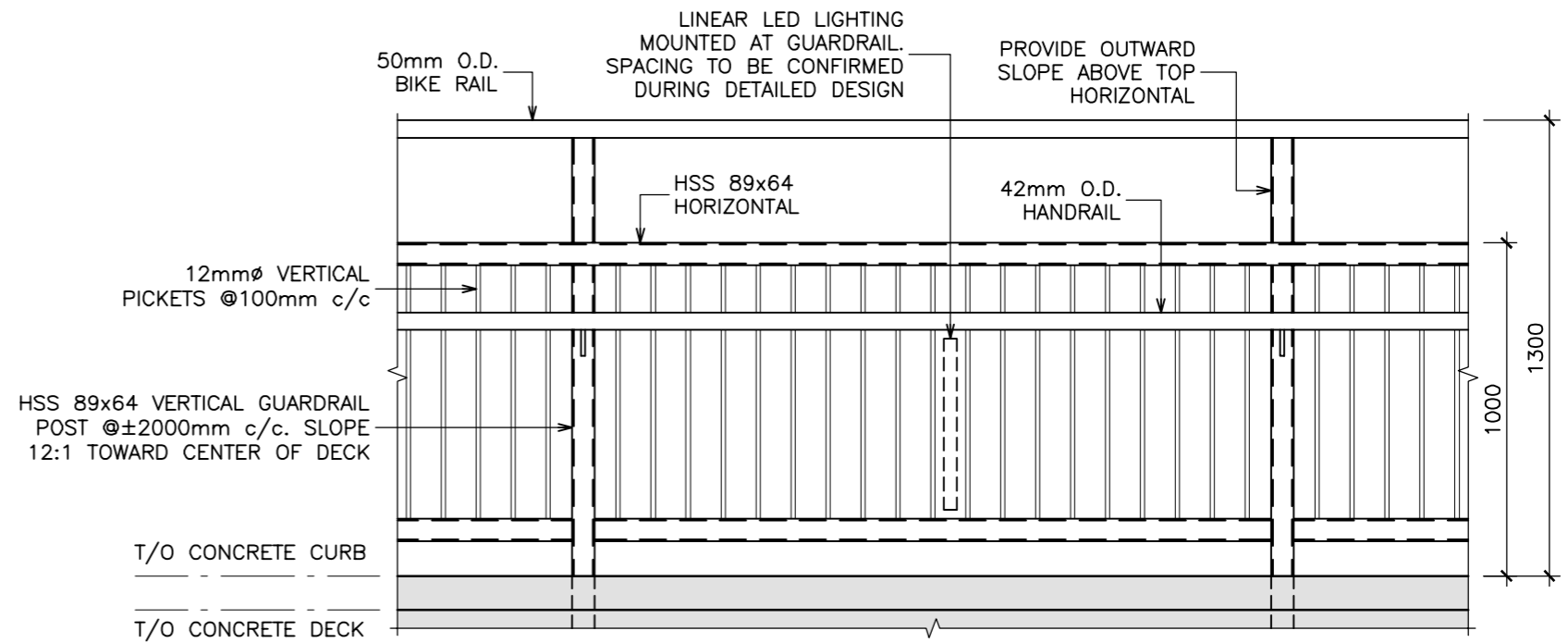
Rev.



**2**  
SK2  
**ELEVATION OF LOOKOUT**  
1:50



**1**  
SK2  
**TYPICAL SECTION**  
1:50



**3**  
SK2  
**TYPICAL ELEVATION OF GUARDRAIL**  
1:20



Creative Thinking  
Practical Results

Read Jones Christoffersen Ltd.  
Engineers  
rjc.ca

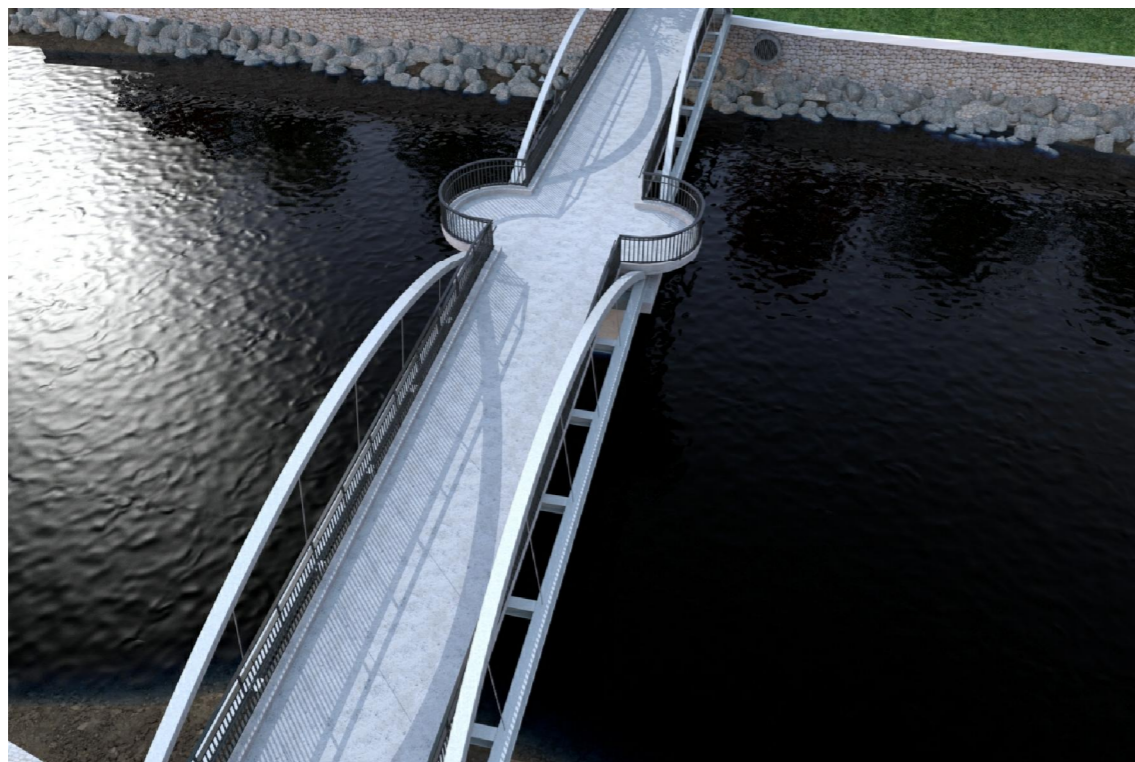
780 Midpark Drive, Suite 103  
Kingston, ON K7M 7P6 Canada  
tel 613-767-6936  
fax 613-767-8276

Project Name  
**Catharine Street Bridge, Belleville, Ontario**

Sketch Title  
**GENERAL ARRANGEMENT - DETAILS**

Dwg. Ref. .  
Scale **AS NOTED**  
Date **March 17, 2016**  
Project No. **TOR.112527.0001**  
Sketch Number  
**SK2**

Rev.



Creative Thinking  
Practical Results

Read Jones Christoffersen Ltd.  
Engineers  
rjc.ca

780 Midpark Drive, Suite 103  
Kingston, ON K7M 7P6 Canada  
tel 613-767-6936  
fax 613-767-8276

Project Name  
**Catharine Street Bridge, Belleville, Ontario**

Sketch Title  
**GENERAL ARRANGEMENT - RENDERINGS**

Dwg. Ref. .  
Scale **AS NOTED**  
Date **March 17, 2016**  
Project No. **TOR.112527.0001**  
Sketch Number .  
**SK3**

Rev.